



charismaTec



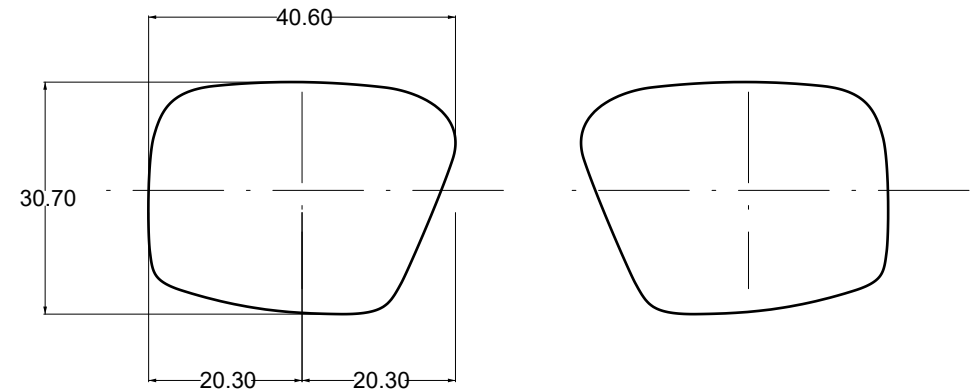
Hersteller:
Michael Pachleitner Group GmbH
Liebenauer Tangente 4
8041 Graz, Austria
www.michael-pachleitner-group.com

Händler:
charismaTec OG
Sandgasse 25a, 8010 Graz, Austria
Büro: Schmiedlstraße 16, 8042 Graz, Austria
Web: <http://www.doculuslumus.com>

Download declaration of conformity:
www.michaelpachleitnergroup.com/konformitaetserklaerung

Notified body:
CERTOTTICA SCRL
ZI VILLANOVA
32013 LONGARONE BL
ITALY
NB 0530

OPTICIANS' DRILL CHART (TEMPLATE)



Recommended materials: PC +4/-6 dpt as well as Nylon +5/-6 dpt

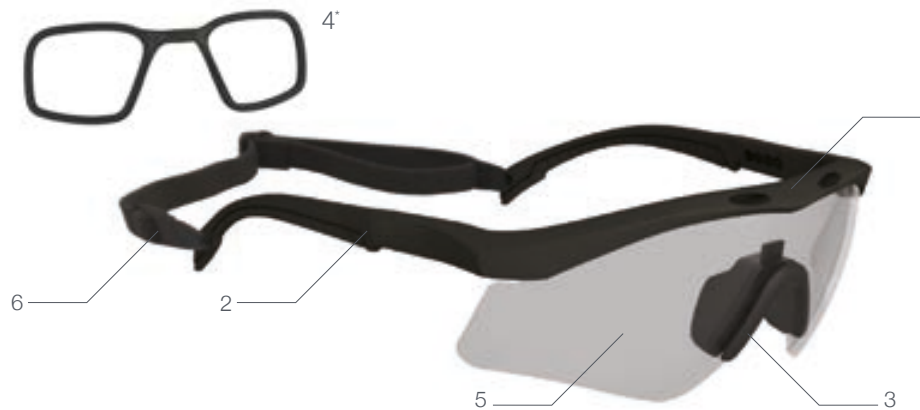
SCALE: 1:1	TOLERANCE: ±0, 05mm / ±1°	
----------------------	------------------------------	--

COMPONENTS cTAC VISION

- (1) Frame
- (2) Adjustable temples
- (3) Nose part
- (4) Prescription lens insert
- (5) Visors
 - Clear
 - Sun (grey)
 - Contrast (yellow)
 - Laser (green)*
- (6) Retaining strap

Additional parts of the safety glasses system:

- Transport case
- Protective cover
- Protective covers for visors
- Cleaning cloth
- Transport compartments



EYEWEAR LABELLING

FRAME				VISORS									
a	b	c	d	e	f	g	h	i	j	k	l	m	n
	EN166	FT	CE	CLEAR	2C	1.2		1	FT	K	N	CE	R/L
				CONTRAST	2	1.2		1	FT	K	N	CE	R/L
				SUN	5	3.1		1	FT	K	N	CE	R/L
LASER VISOR													
o	p	q	o	p	q	o	p	q	r	s	t		
694	DIR	LB3	830-860	DIR	LB2	1064	DIR	LB5		LASER	R/L		

*optional

- a Manufacturer information
- b Underlying standards
- c Mechanical strength
- d Labelling of compliance with European standards
- e Visor version
- f Filter type
 - 2 = UV filter
 - 2C = UV filter with contrast enhancement
 - 5 = Sun protection filter
- g Level of shading
- h Manufacturer information
- i Optical class
 - 1 = best optical class
- j Mechanical resistance
- k Surface resistance to damage from small particles
- l Fogging resistance
- m Labelling of compliance with European standards
- n Size (R = regular, L = large)
- o Wave length / wave length interval in nm in which the filter provides protection
- p Laser function mode
- q Protection level at respective wave length / respective wave length interval
- r Manufacturer information
- s Visor version
- t Size (R = regular, L = large)

BV100-1 / BV100-2



Safety Glasses System

cTAC VISION

cTAC VISION

The cTAC VISION safety glasses consist of a flexible frame with flat, adjustable temples and interchangeable ballistic visors that snap into the frame.

The cTAC VISION safety glasses system is certified in accordance with:

- EN 166:2001
 - Flammability
 - Resistance to fogging
 - Surface resistance to damage from small particles
- STANAG 4296
 - Ballistic protection
- EN 170:2000, EN 172:1994
 - Transmittance

CARE, MAINTENANCE & CLEANING

Every cTAC VISION visor comes with an extremely scratch-resistant coating. For the optimum preservation of your visors, storage and cleaning at room temperature without direct sunlight and humidity below 50% is recommended. The glasses should be cleaned with water or a non-solvent based eyeglass cleaning spray for polycarbonate.

Generally, the cleaning cloth included is to be used to clean the lens and frame. It should only be used on clean lenses and never on lenses covered with coarse dust. Using the cloth on a dirty lens could scratch the visor. In order to deep clean and disinfect the frame wash it in mildly soapy water once you have removed the visor. After rinsing, let the frame air-dry. Your cTAC VISION safety glasses should always be stored in the designated transport case.

VISORS

- **Clear**
for interior and night use, transparent, filter category S0
- **Sun**
for sun protection, grey, filter category S3
- **Contrast***
for contrast enhancement, yellow, filter category S0
- **Laser***
for laser protection, green, filter category S1



CAUTION

*The Laser and Contrast visors are not suitable for use while operating a motor vehicle in traffic.

OPERATING INSTRUCTIONS

CHANGING TEMPLE LENGTH



ATTACHING RETAINING STRAP



REMOVING VISOR



INSTALLING VISOR



ATTACHING PRESCRIPTION LENS INSERT



WARNINGS

Safety visor should not be used for more than 5 years, replace scratched and/or damaged safety visor immediately.

Materials which may come into force with the wearer's skin could cause allergic reactions to susceptible individuals. Eye protection device tested and marked F or B can affect wearer's safety if worn over correction spectacles. If the symbols like par example F, B or A are not marked on both parts (frame and lenses or visor and visor carrier) of the eye protection equipment the lower protection level is applicable for the whole unit. In order that a face-shield corresponds to symbol 8 for the field of application, it must be fitted with a filter of scale number 2-1.2 or 3-1.2 and have a minimum thickness of 1.4 mm. In order that an eye-protector corresponds to symbol 8 for the field of application, both the frame and the ocular must be marked with this symbol together with one of the symbols F, B or A.

F and B marked eye protection with protective function against high speed particles should not be worn at extreme temperatures, if they do not have the addition "T". If the letter for the impact intensity is not followed by the letter "T", the eye protection must only be used at room temperature.